

USER MANUAL

**ARS35PL**

**Semi-Rotary Machine**

# TECHNICAL SPECIFICATIONS



## !IMPORTANT!

*This unit has some parts which are capable of causing serious injury to the end-user including but not limited to, the blades, nip roller, and the rotary cylinders inside the rotary module.*

	ARS25PL
Media Width	up to 350mm
Unwinder Roll Diameter	Up to 500mm
Lamination Roll Diameter	Up to 250mm
Max. Diecutting Width	330mm
Max. Diecutting Length	360mm
Cutting Dies	Flexible steel, from 130mm to 360mm
Max. Finished Label Rewind	400mm
Max. Waste Matrix Rewind	300mm

## **POWER REQUIREMENTS**

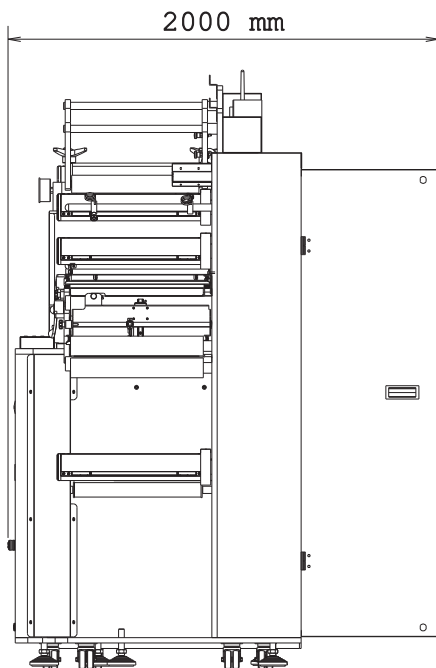
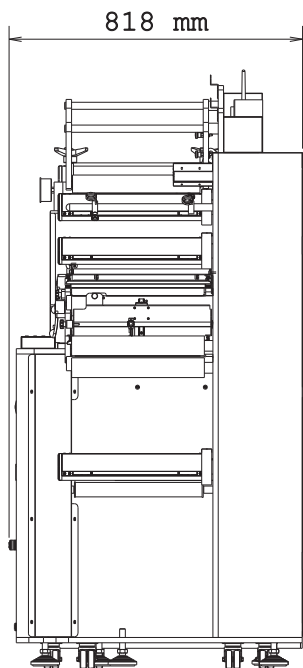
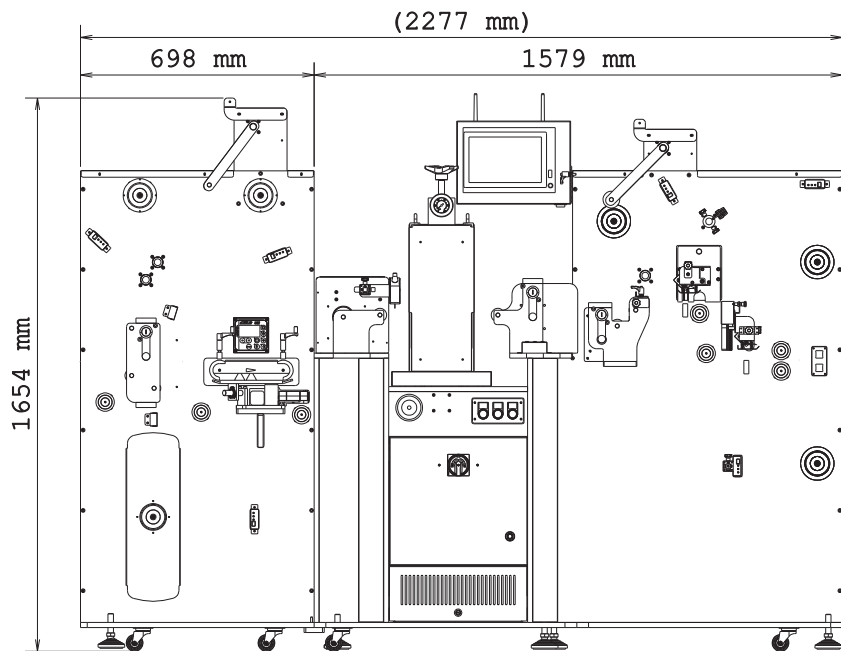
ARS35PL	100-240V~1Kw, 50/60Hz
---------	-----------------------

## **Environmental functioning and storage requirements**

Operating temperature: From 5°C to 35°C.

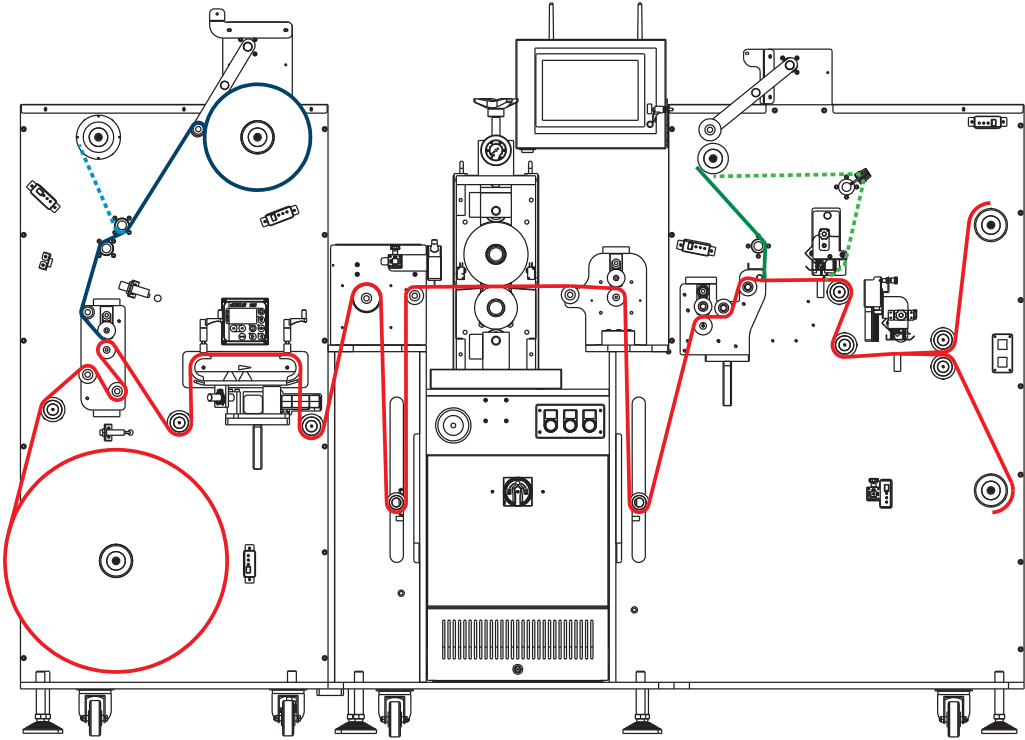
Storage temperature: From 5°C to 50°C.

# LAYOUT AND SIZE



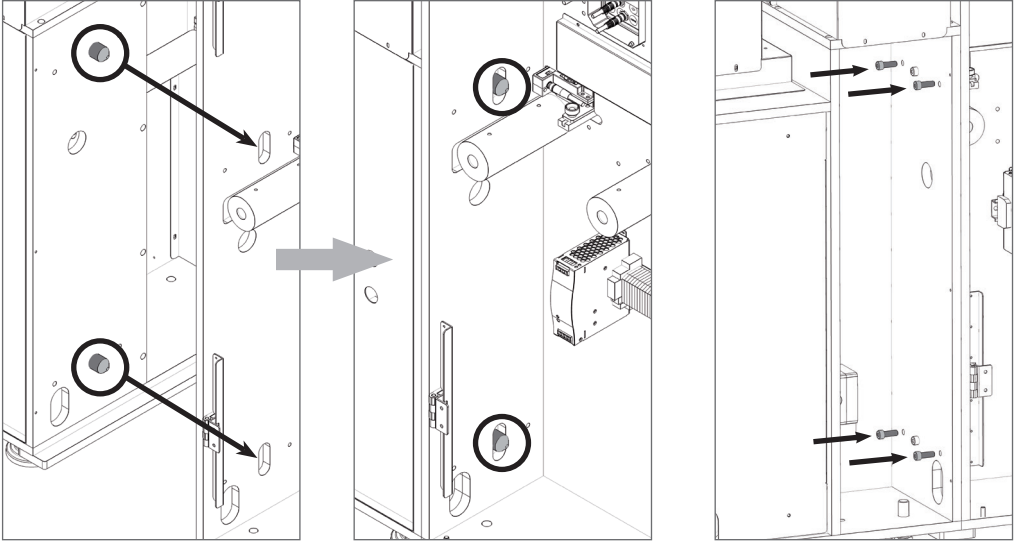
# MEDIA PATH

- Input roll
- Laminate roll
- Liner roll
- Waste roll
- Trims



## **INSTALLATION**

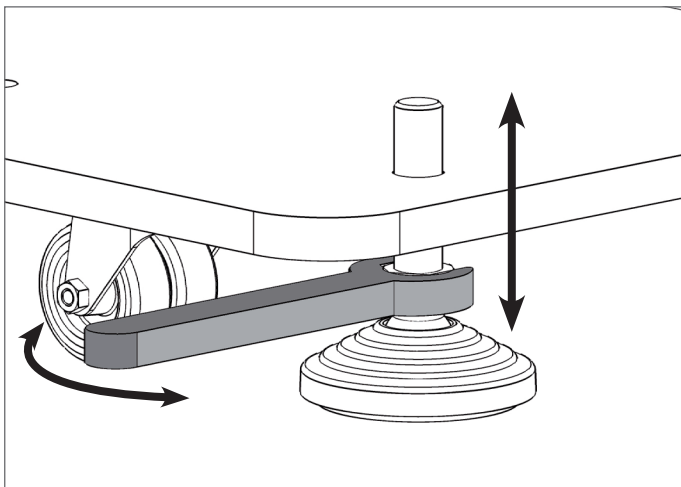
Insert the two studs (on the rewinder module) into the slots located on the unwinder module. Then secure them together with four allen screws.



With a wrench, you can raise or lower each foot by turning the bolt left or right. This should assist in leveling the unit.

Clockwise > raises the unit

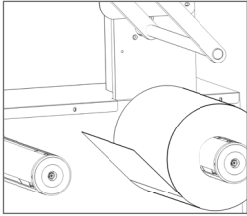
Counterclockwise > lowers the unit



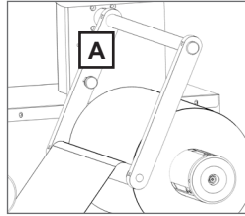
# OPERATION STEPS

## How to set the silencer

Silencer accessory is used to drastically reduce the noise generated by noisy self-wound lamination application.

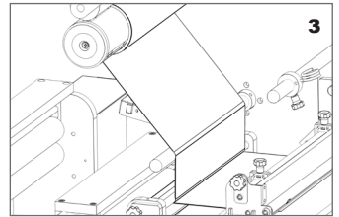
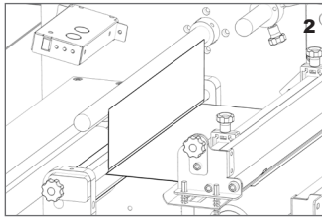
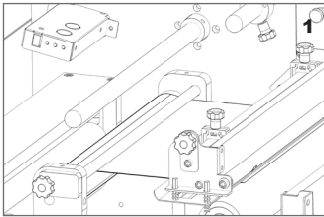


Load and fix the self-wound lamination roll on to the core holder.  
Pull the lamination end over the aluminium roller.



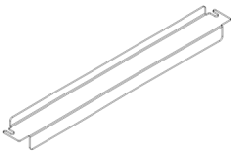
Use knob (A) to unlock the silencer, then setting it down over the lamination roll.

## How to load the waste



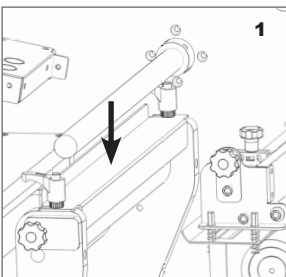
1. Turn the knob anti-clockwise to allow the waste removal arm to open and pass the media through the two rollers as shown in the photo.
2. Peel off the waste from the liner.
3. Attach the waste to the cardboard core located on the core holder. Allow the press roller to fall down over the waste roll.

## Different modes to remove the waste

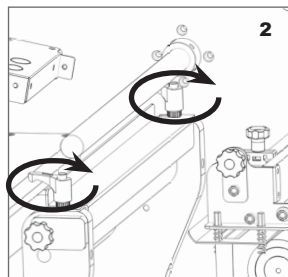


You have two modes to remove waste material from the unit. Using classic roller (the standard use) or using the 90° bar. This is dependent on the type of materials being used, the type of laminate used, and the shape of the die-cut.

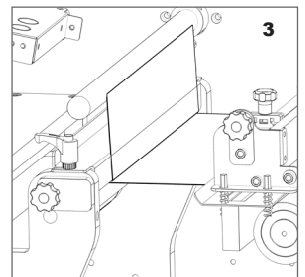
## How to install the 90° bar



Install the 90° bar with two tighten knobs

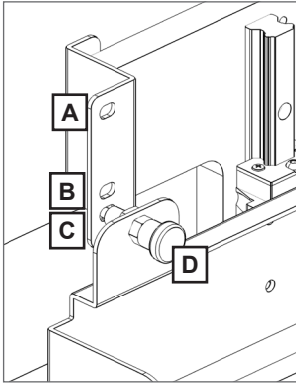


Fix the tighten knobs.



Remove the waste following the standard steps

## How to set slit module

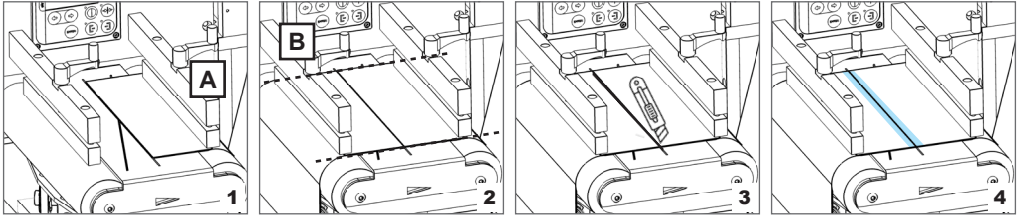


### **Slitter module has 3 positions:**

- Upper position (A), the blades are at its highest to allow for media loading;
- Middle position (B), Blade are slightly lowered and can be moved from right and left to find the desired position where to perform the longitudinal cut. Tighten the screw to fix the blade holder in position;
- Lower position (C), the blades cut through the media.

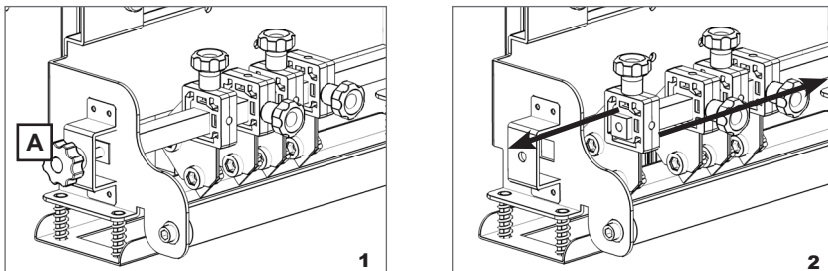
To lock the module in A,B or C position use the knob (D)

## How to use the splice table



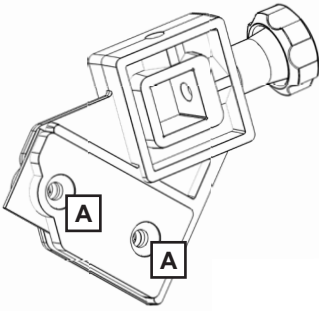
1. Knob (A) is used to secure the bracket down over the media already loaded through the unit;
2. Load the new media roll onto the unit, then align it with the old media from the last job. Use knob (B) to secure the bracket down on the new media;
3. Use a box cutter to cut the excess media along the lines.
4. Join both media ends together by applying tape above and underneath the ends. Once complete, release both knobs.

## How to add or remove a blade holder



1. Release the knob (A) to remove the supporting iron bar
2. Slide in the additional blade holder or slide out the unnecessary one. Reinstall the supporting iron bar and tighten the knob.

## How to rotate or replace the razor blade



1. Remove the two screws (A), holding the small iron support securing the blade.

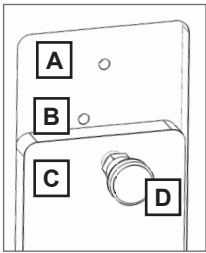
2. Rotate or replace the blade.

*This razor blade offers four cutting corners. When a cutting corner is worn out, you have the ability to rotate the blade and expose a different cutting corner before having the blade completely replaced.*

3. Reinstall the small iron support to screw down the blade in place.

## How to cut the external trims

Use the trim removal module to cut the external trims. This will allow you to remove it along with the waste.

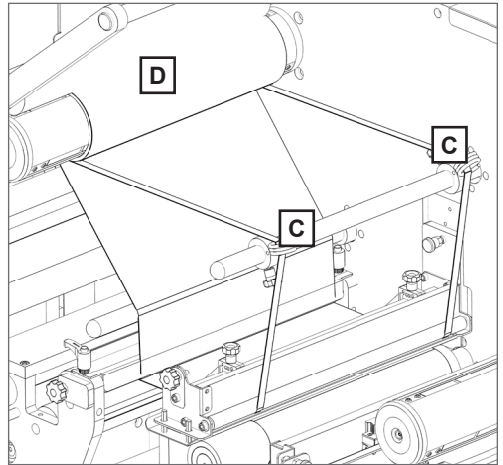
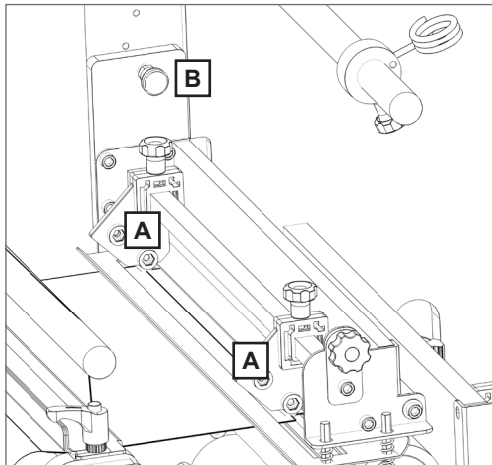


**Trims removal module has 3 positions:**

*Upper position (A), the blades are at it's highest to allow for media loading;*

*Middle position (B), blade are slightly lowered and can be moved from right and left to find the desired position where to perform the longitudinal cut. Tighten the screw to fix the blade holder in position;*

*Route the external trims through the springs (C) and secure it to the waste rewriter (D).*



Move the blade holder (A) in the desired position, then use the knob (B) to lock the module in lower position.

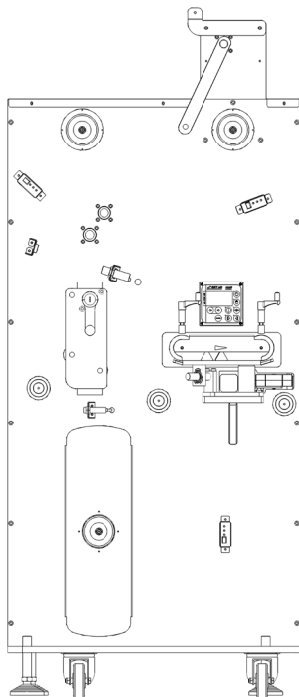
Route the external trims oinside the spring (C) and secure it to the waste rewriter (D).



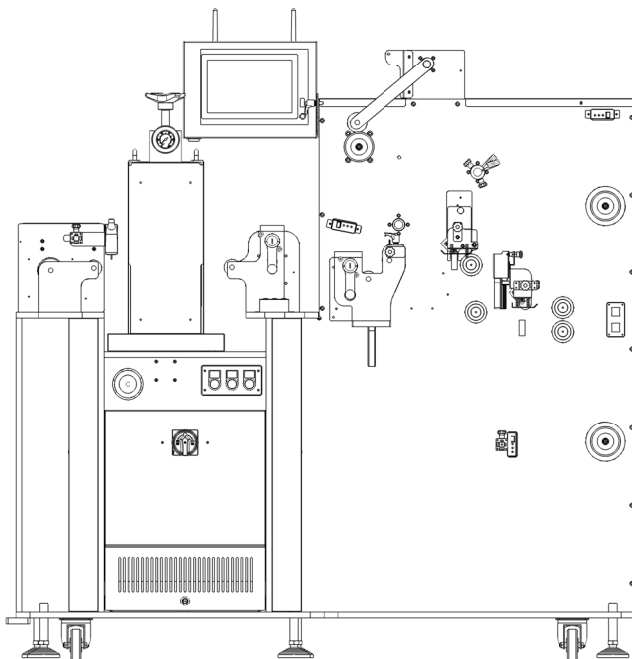
# EQUIPMENT

ARS35PL unit is assembled by two modules that should be leveled when installing them together:

## UNWINDER MODULE



## ROTARY & REWINDER MODULE



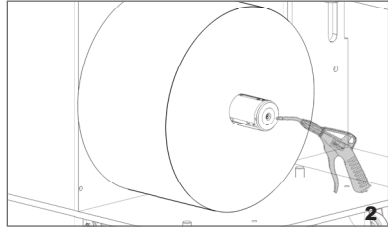
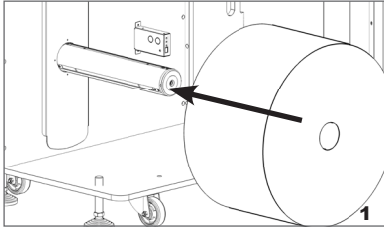
### IMPORTANT!

*The two modules are properly leveled and aligned together for correct operation.*

*DO NOT move the unit by yourself or you might compromise the working operation. Please contact Technical Support before taking any action.*

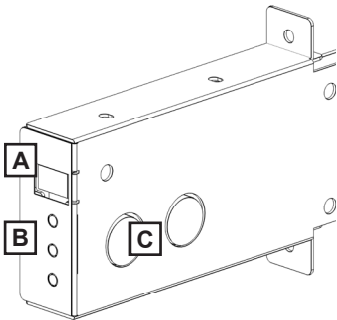
# UNWINDER MODULE

This module is used to load your unprinted or printed roll of media and uses pneumatic shafts to secure the roll in place.



Load the input media roll onto the core holder and use the air gun to expand the pneumatic core in order to secure the roll in place.

Each core holder is managed by its own controller designed to set the required media tension. The unit does a great job keeping that tension constant even if the roll diameter varies during the job.



**A)** Display

**B) ON/OFF** : activate/deactivate the tension control

+ : increase the media tension

- : decrease the media tension

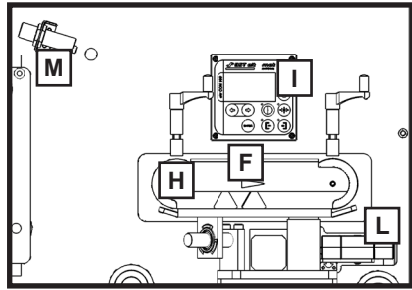
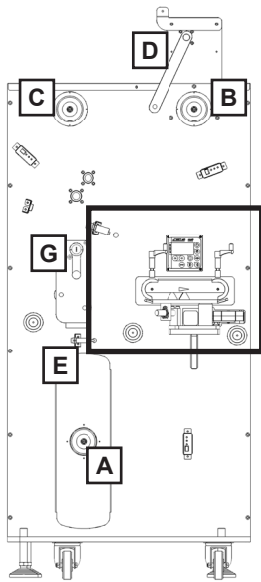
**C)** Ultrasonic sensor

Display conditions:

- flashing O - F - F = the controller is deactivated

- flashing number = the controller is active and it shows the tension level set

Press and hold "run" will allow the core to spin.



*This module offers the opportunity to apply adhesive using the cold self-wound method or with liner lamination.*

**A)** Core holder designated to load the input media roll.

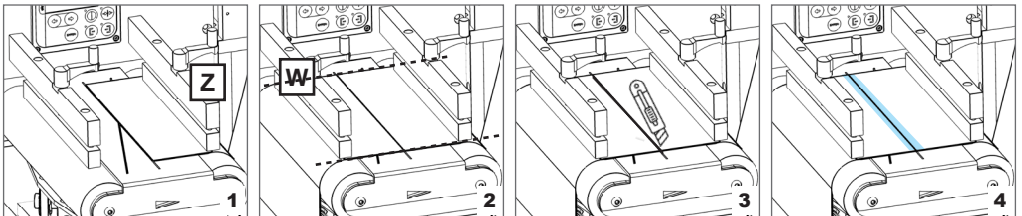
**B)** Core holder designated to load the lamination roll.

**C)** Core holder designated to rewind the lamination's liner.

**D) *Silencer accessory*** used to drastically reduce the noise generated during the application of noisy self-wound lamination roll.

**E) *Media sensor*** used to stop the unit when the media runs out.

**F) *Splice Table*** Joins the finished roll to the newly installed roll effortlessly; it helps reduce time and media waste when swapping to a new roll.



**1.** Knob (Z) is used to secure the bracket down over the media already loaded through the unit

**2.** Load the new media roll onto the unit, then align it with the old media from the last job. Use knob (W) to secure the bracket down on the new media.

**3.** Use a box cutter to cut the excess media along the lines.

**4.** Join both media ends together by applying tape above and underneath the ends. Once complete, release both knobs.

**G) Nip Roller.** This assembly, when in the “closed” locked position, allows the unit to lock and advance the media forward through the system. When the lever is set to “open” position the media is unlocked and able to move freely.

**H)** Web guide used to keep the media path straight and aligned through the unit.

**I)** Web guide controller.

**L)** Web guide sensor.

**M)** Laminate sensor.

### **MEDIA SENSOR**

- When media is loaded, the orange LED is on.

- When media runs out (or media is not loaded), the orange LED turns off and it stops the unit.

### **HOW TO SET THE MEDIA SENSOR**

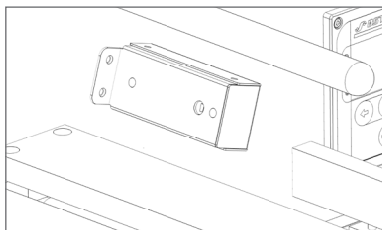
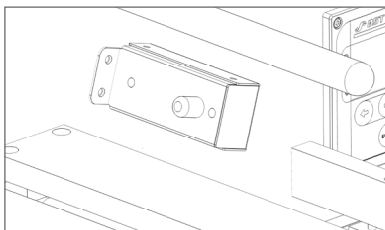
After properly loading the media, Press and hold the small button for a few seconds. When orange LED flashes, release the button, and the sensor is now set)

*NOTE: (If the LED does not flash after completing these steps, the sensor is not set. Please repeat the steps.)*

### **LAMINATE SENSOR**

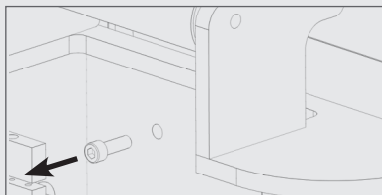
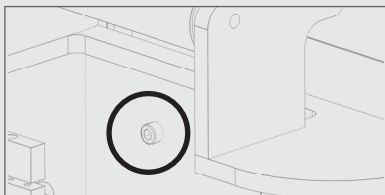
- When laminate is not used, keep cap installed on the sensor.

- When laminate is loaded, remove the cap.



### **REMOVE THE SCREW SECURING THE ROTARY MODULE**

During the installation remember to remove the security screw (onto unwinder module side) used to block the rotary module and avoid damages during shipping.



## **WEB GUIDE**

In automatic mode, the edge sensor detects the current position (actual position) of the material web and transmits the respective information to the integrated controller.

The controller compares the actual recorded position against the default position. The controller will send a relevant correction signal to the actuator if a deviation is found to exist between the two values.

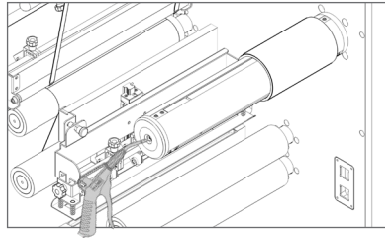
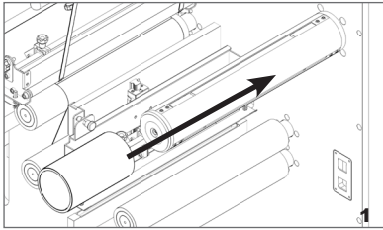
The actuator pivots the movable pivoting frame suspended on the housing of the compact web guide control around a rotating point in the material web infeed until the material web is located back in its default position at the outfeed.

## **REMOTE CONNECTION**

The device is equipped with integrated Wi-Fi connection and can (with operator authorization), be connected remotely through TeamViewer desktop remote access application to perform remote technical support.

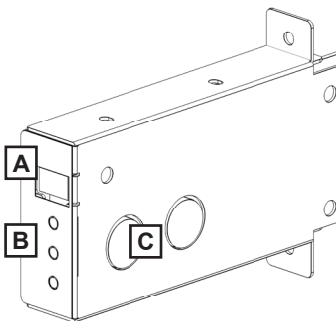
---

## **ROTARY & REWINDER MODULE**



Load the media roll on to the core holder and using the air gun, expand the pneumatic core to fix the roll in place.

Each core holder is managed by its own controller designed to set the required media tension. The unit does a great job keeping that tension constant even if the roll diameter varies during the job.



**A)** Display

**B) ON/OFF** : activate/deactivate the tension control

+ : increase the media tension

- : decrease the media tension

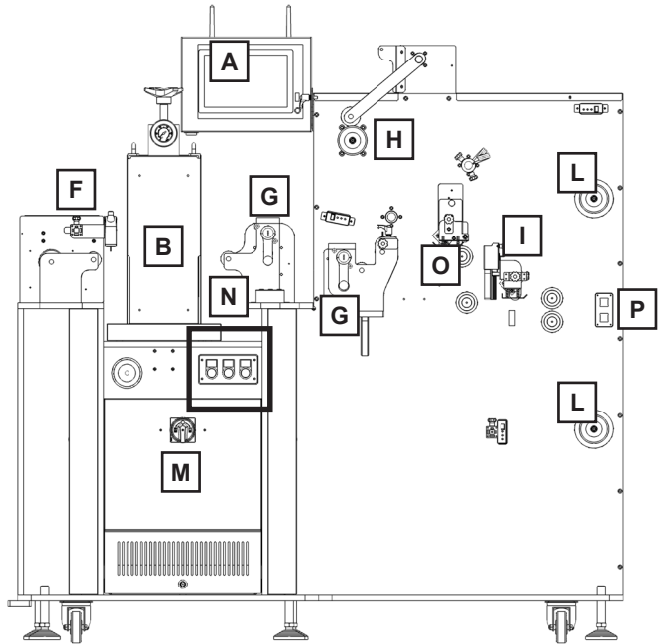
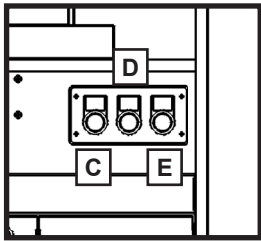
**C)** Ultrasonic sensor

**Display conditions:**

- flashing O - F - F = the controller is deactivated

- flashing number = the controller is active and it shows the tension level set

Press and hold "run" will allow the core to spin



**A) Integrated touchscreen PC** with the ARS35PL cutting software manager installed, as a user-friendly application developed to manage the cutting process.

**B) Semi-Rotary module.**

**C) Ready light** that indicates that the unit is ON.

**D) Power OFF button.**

**E) Power ON button.**

**F) Mark sensor** used to synchronise the cutting position on printed roll.

**G) Nip Roller** This assembly, when in the “closed” locked position, allows the unit to lock and advance the media forward through the system. When the lever is set to “open” position the media is unlocked and able to move freely.

**H) Core holder** designated to rewind the removed waste.

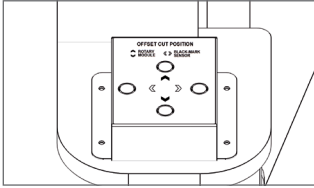
**I) Longitudinal slitter assembly** gives you the option to load up to 18 blade holders, during which it splits the input media into trimmed down widths. Each one can be rewound onto its own cardboard core.

The blade holder is equipped with a razor blade (0.2mm thickness). This blade features four shape corners, before having it replaced, it can be rotated on itself up to four times when a cutting side is worn out.

**L)** Double shaft designated to rewind the finished job. They can work individually or both at the same time.

**M)** Main ON/OFF Switch.

### **N) Offset Adjustment**



Black arrows  
ROTARY MODULE

These buttons move the rotary module along the width of the substrate.

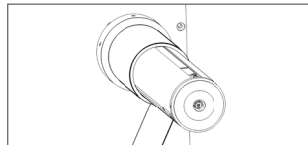
White arrows  
BLACK-MARK SENSOR

These buttons move the black mark sensor left or right along the length of the substrate.

**O)** Trims removal module.

**P)** Selecting rewinding mode.

This button make it possible finish your roll of labels face-in or face-out.



### **!!IMPORTANT!**

*Every time a cardboard core is loaded on to the shaft, remember to activate the controller by setting the tension intensity through the button on it.*

### **MARK SENSOR**

The mark sensor synchronizes the cutting position on the printed media through the black mark reading. This device works with default settings. In case of any issue, please reset it following the instructions below.

### ***DEVICE RESETING***

1. Press and hold the + and - push-buttons for 10 seconds.



2. The set parameters are reset to the factory settings.

# HOW TO CALIBRATE THE MARK SENSOR

1. Press the button "SET" on the sensor. The sign "tch" shall appear.



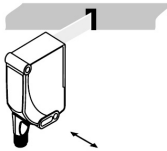
2. Press again "SET". The sign "2P" shall appear.



3. Press again "SET". The sign "1St" shall appear.



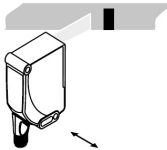
4. Now on the ARS25PL software, press the button "FORWARD MEDIA", and stop once the sensor light is exactly on the mark.



5. Press "SET" again on the sensor. The sign "2nd" shall appear.



6. From the ARS25PL software press "FORWARD MEDIA" until the sensor light is no longer on the mark.



7. Press "SET" again on the sensor.

If the procedure was successful the sensor light will change to red, and it will display a score from 1 to 100 with the quality of the calibration.

If any error occurs, the "Err" sign will be displayed.



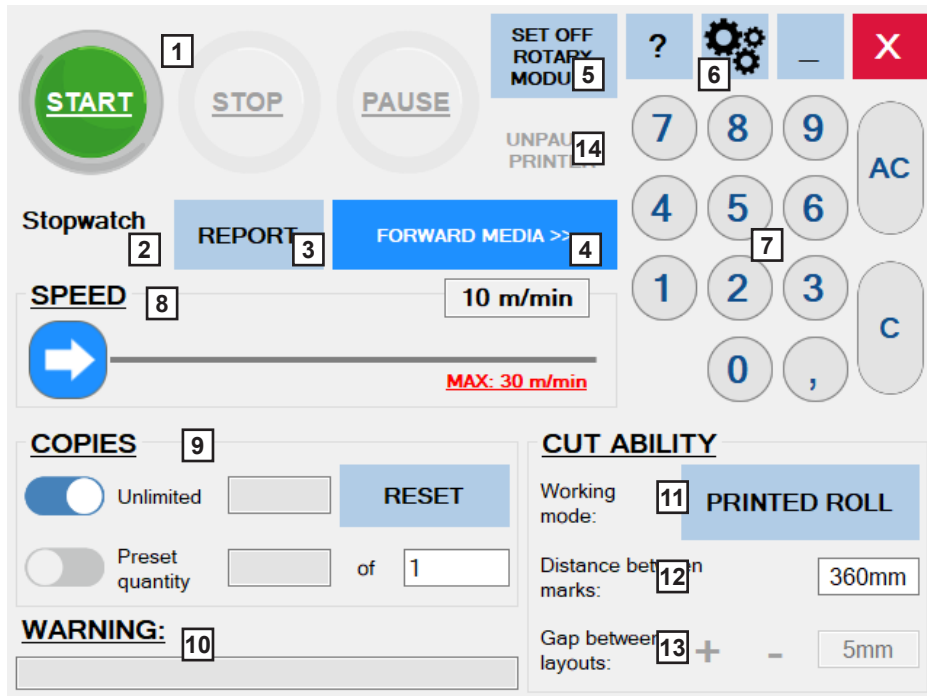
61 - 100	😊
31 - 60	😐
1 - 30	😞





# CUTTING MANAGER SOFTWARE

The cutting manager software comes already installed on the touchscreen and it will be used to perform all the operations on ARS35PL.



- 1) Start/stop/pause controls for any job.
- 2) A stopwatch that shows the expired time at the end of the job.
- 3) This opens and shows information for each job performed.
- 4) Forwards the media without cutting.
- 5) It sets off the whole rotary module, unblocking it to allow the change of die plate.
- 6) Opens the **SETTINGS** window
- 7) Pad number.
- 8) Sets the operating speed of the material.
- 9) Copies  
**UNLIMITED:** Allows the unit to cut until the media roll runs out. Also gives the user an option to ignore the black marker when using printed media.  
**PRESET QUANTITY:** This allows the unit to cut specific number of layouts.

The “**RESET**” button is used to restore the amount of copies done for the current job.

10) Communication box shows warnings to the operator.

11) Choose the working mode

-**PRINTED ROLL**: Cut on a printed roll (in this case the roll has already been made, so the inline printer is not used)

-**UNPRINTED ROLL**: Cut on unprinted material in semi-rotary mode.

12) Working mode:

**PRINTED ROLL** mode:

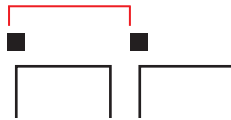
**CUT ABILITY**

Working mode: **PRINTED ROLL**

Distance between marks: 360mm

Gap between layouts: + - 5mm

Set the distance between marks.



**UNPRINTED ROLL** mode:

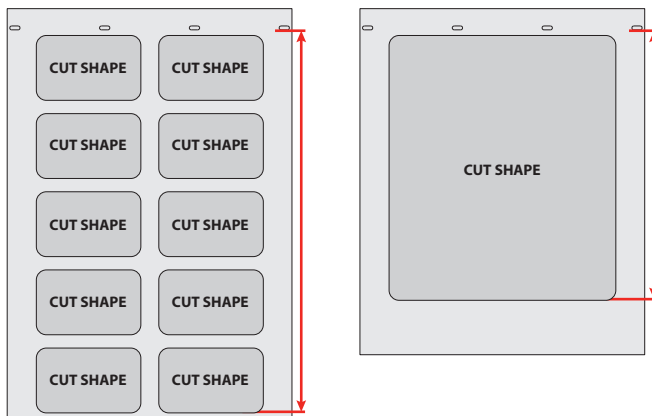
**CUT ABILITY**

Working mode: **UNPRINTED ROLL**

Die plate length: ? 360mm

Gap between layouts: + - 5mm

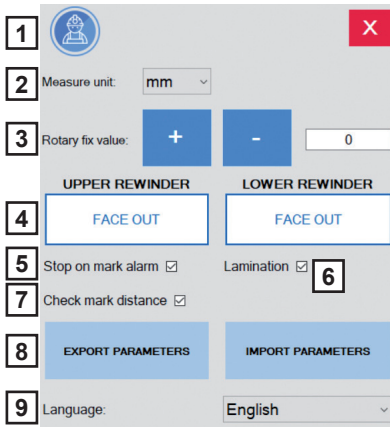
Set the die plate length. The picture gives an example on how to do it (Image below can be checked by clicking “?” button).



13) Set the distance between each label layout (just on “unprinted roll mode”).

14) This button enables the printer and allows the end-user to load the roll.

# SETTINGS



1- Advanced machine options used for maintenance

2- Measure unit: “Choose between mm and inches”.

3- It determines the ratio between the rotation of the rotary, and the advancement of the material.

This can be useful in case the length of the die-cut doesn't match the one of the printed layout (so in case the ratio is wrong, or the print is distorted).

4- Set the rotating verse for the rewinders, to make rolls with “face out” or “face in” labels”.

5- Stop on mark alarm: “When enabled, the machine stops when the mark is not found”.

6- Set if you are working with or without the lamination roll.

7- When flagged, the machine will run the first layout to measure the distance between the printed marks. If the ‘distance between marks’ set on the user interface does not match the printed distance, the machine will stop.

8- Export/import parameters: Allows end-user to create or load a library with all the job's parameters.

9- Set the language for the software.

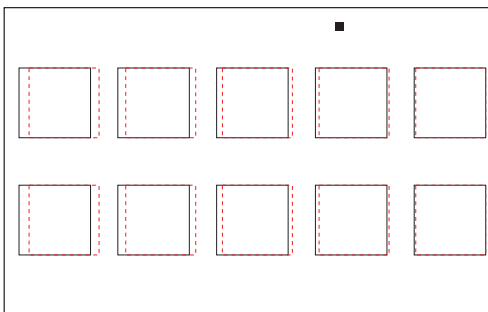
## Rotary fix value Demo

### Negative Value

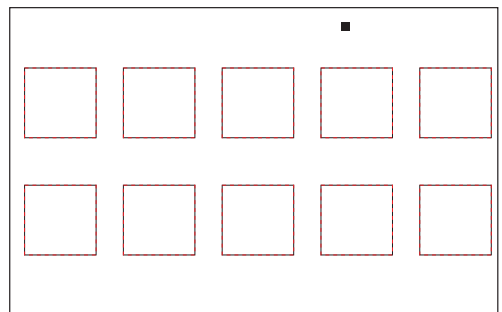
VERIFY THE CORRESPONDENCE OF THE CUT WITH THE PRINT.  
IF YOU NEED TO STRETCH THE CUT INSERT A NEGATIVE VALUE.



Start



Finish

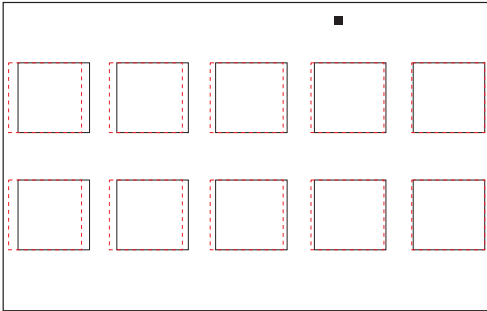


## Positive Value

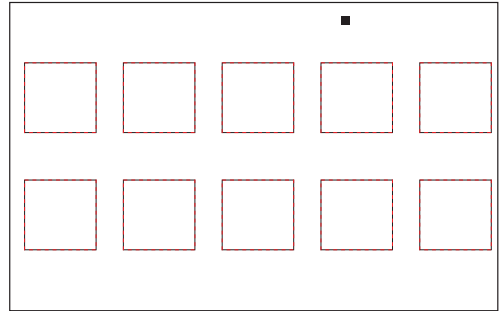
VERIFY THE CORRESPONDENCE OF THE CUT WITH THE PRINT.  
IF YOU NEED TO COMPRESS THE CUT INSERT A POSITIVE VALUE.



Start



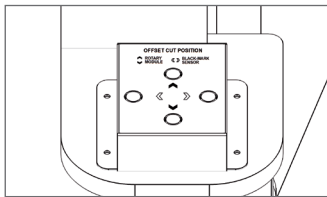
Finish



## OFFSET ON THE FLY

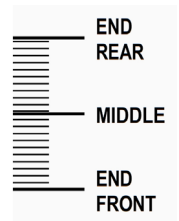
This feature allows the operator to adjust the offset layout while the unit is working at the minimum working speed only.

Select a preset or custom movement value in millimeters, applied in the direction of the pushed buttons.



White arrows  
BLACK-MARK SENSOR

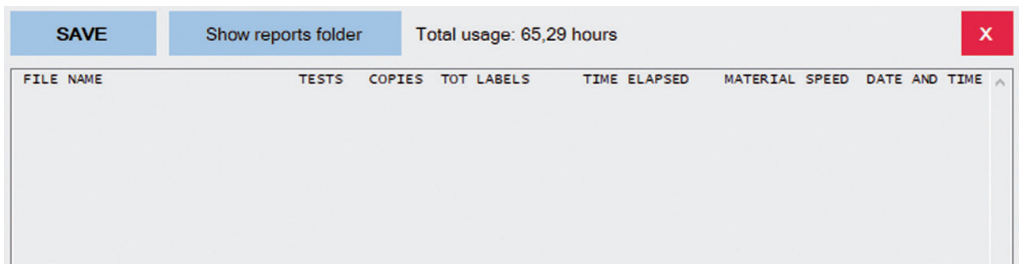
It moves the rotary module along  
the width of the substrate.



## CUT REPORT

This menu shows the report of the jobs run on the device with the opportunity to save/export it as .txt file.

Moreover, it shows the working hours since the unit has been installed.



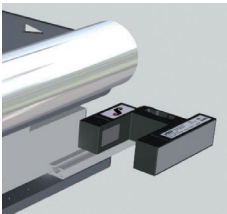
# HOW TO SET WEB GUIDE



This panel displays all elements used to manage the system in charge of the web guidance.

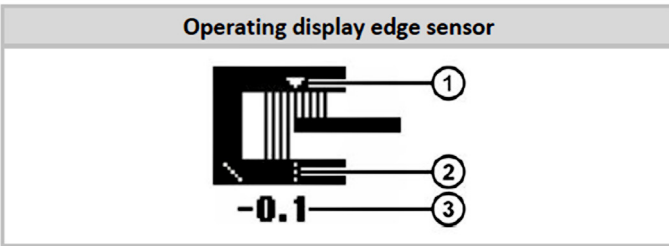
Below are the only two buttons used by the operator to switch the operation mode, from “centre positioning” required during the media loading to “automatic” once the media has been properly loaded through the system.

Function	Key	Designation	Description
Operating mode selection		<b>Automatic</b>	Automatic web guiding
		<b>Centre positioning</b>	Centre positioning of the guiding device



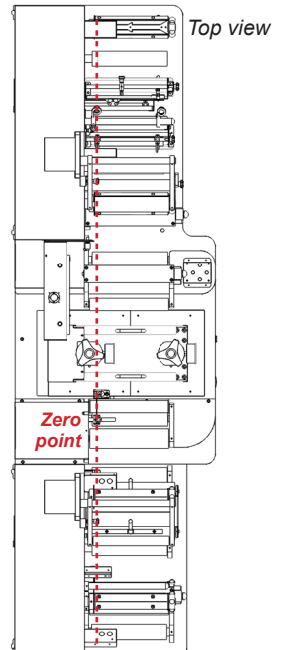
The edge sensor is properly set by the manufacturer, where (2) the centre of the sensor scanning area is aligned to the “zero point” media edge.

Below is the edge sensor status constantly displayed on the control panel, for correct operation, the numeric value (3) should not exceed  $\pm 4$ .



## Symbol meanings

①	The white triangle marks the set position of the web edge in the sensor scanning area.
②	The dashed line marks the centre of the sensor scanning area.
③	The numeric value indicates the current web edge position in the sensor scanning area (unit mm).



## **MEDIA LOADING**

1. All the core holder controllers must be off.
2. Set the web guide in “centre positioning” operating mode.
3. Fix an empty cardboard core (wide as media width to be used) on to the rewinder.
4. Load the input roll on to the Unwinder Core Holder.



### **!IMPORTANT!**

*It is mandatory to place the input media roll against the iron plate. This places the media at zero point.*

5. Keeping the nip roller modules open, pass the media through the unit following the diagram showing the media path.
6. Fix the media end to the empty core on to the rewinder core holder.



### **!IMPORTANT!**

*It is mandatory to tape the media while the edge is against the iron plate. This guarantees that the media is aligned all throughout the system.*

7. Close the nip roller modules.
8. Activate and set the core holders controllers.
9. Push “forward media” on touchscreen to check if the media has been loaded properly and straight.
10. If required, load the lamination. Pay attention to align it in the desired position.
11. Load the job and start the cutting process.
12. Once enough media has been cut, pause the job and peel off the waste and tape it on its dedicated core. Resume the job for a few more copies until the finished labels are rewound on the core.
13. If required, Pause the job to:
  - Set the back rotary blades to remove the external trims.
  - Set blade holders to split the input roll on multiple rows.
14. Resume the job.
15. Finally, pause the job and tape each row on to its own cardboard core.
16. Resume the job.

## **PRINT FILE**

Printing file length from 140 to to 360mm.

**4x4 black mark** is fixed at 140mm from the top of the artwork and 5mm from left side.

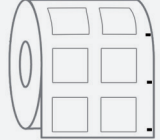
Print file includes:

- the graphics
- the black-mark

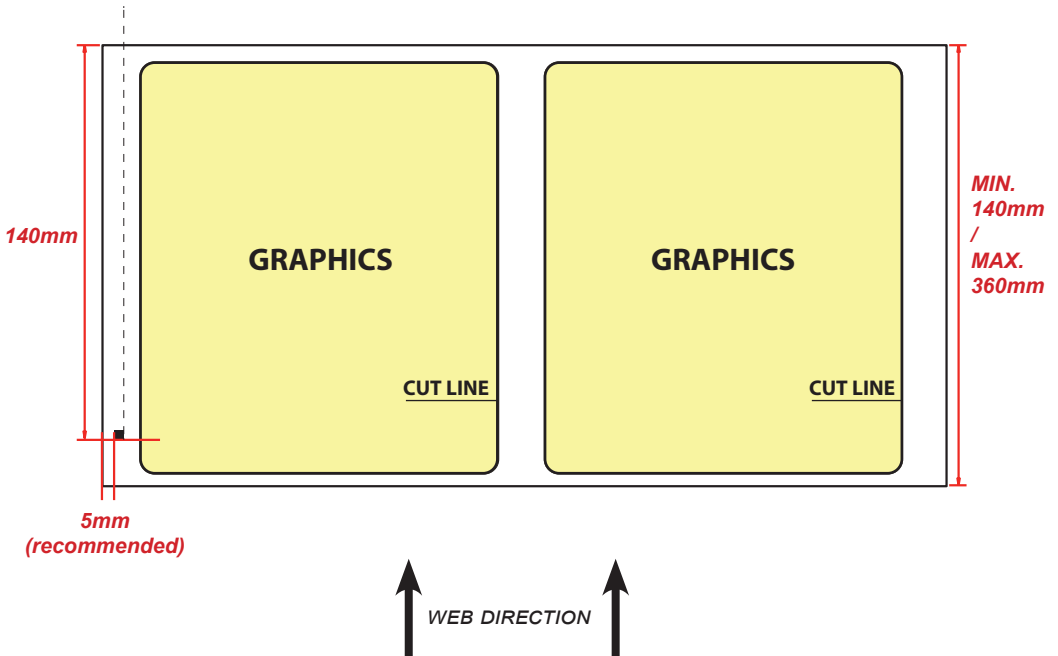
### **!IMPORTANT!**



*The printed input roll must be rewound as shown by the diagram in order to be properly managed by Taurus.*



*graphics must never overlap the black-mark*



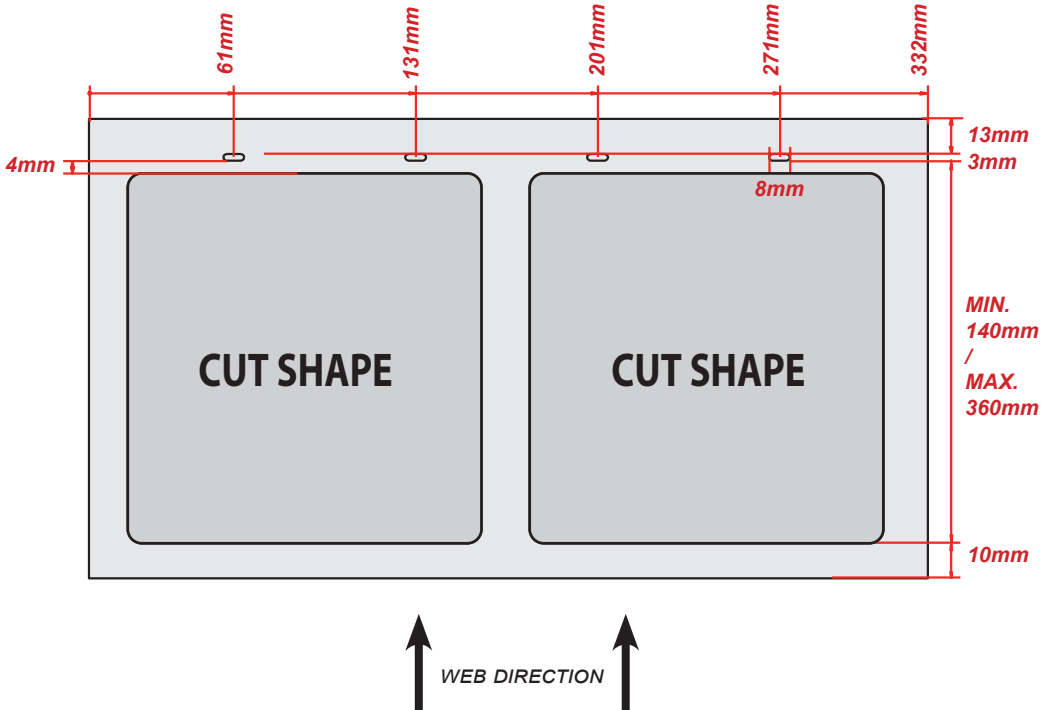
## **DIE PLATE**

Two button holes 3x8mm are mandatory/required.

Die plate width from 140 up to 332mm.

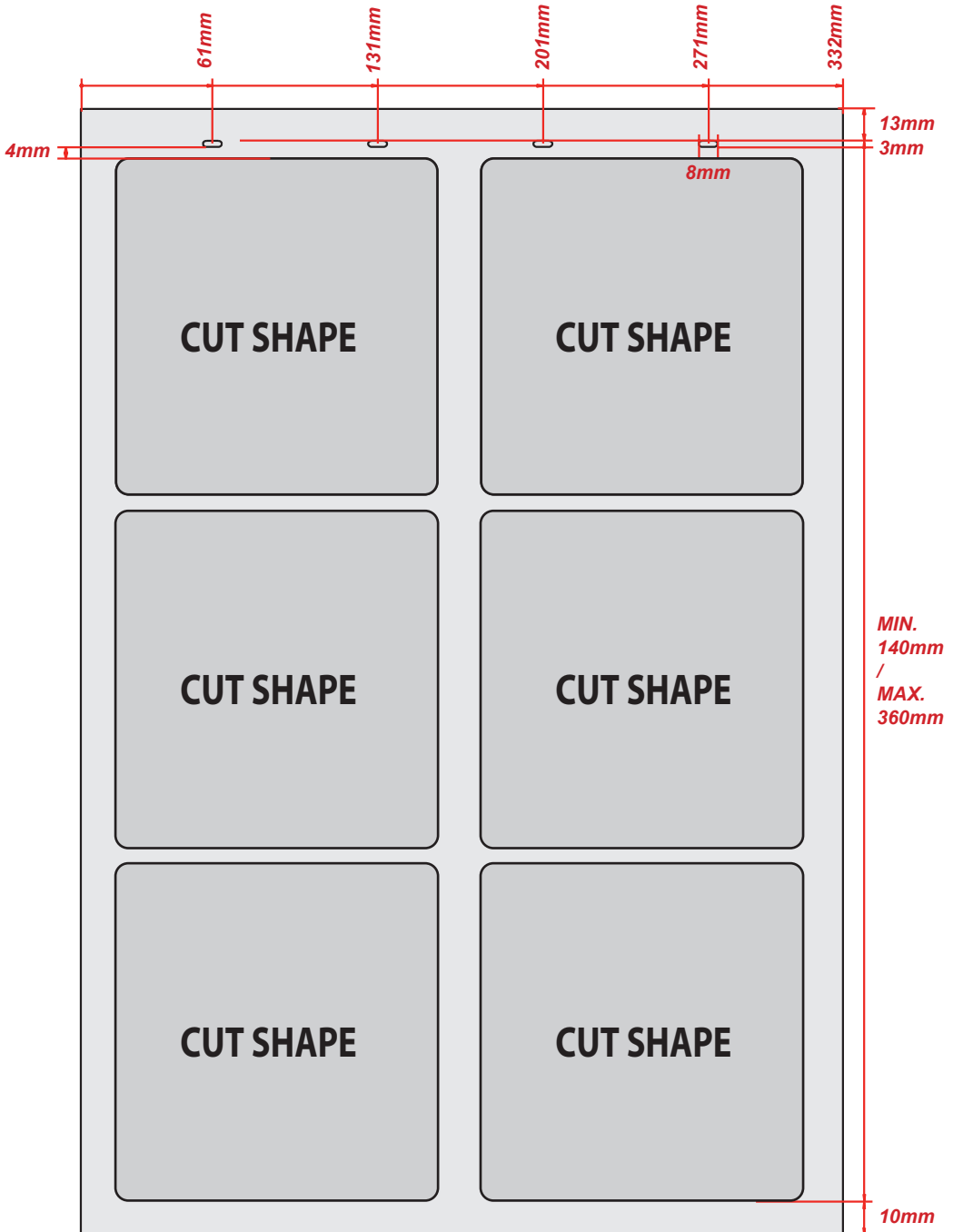
Die plate length from 166 to to 386mm.

Layout placed 4mm from the buttonholes.





Example of Die plate with two or more shapes.

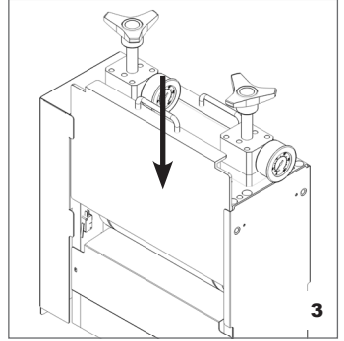
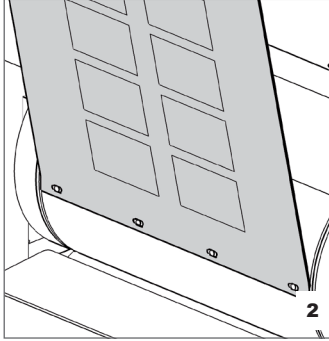
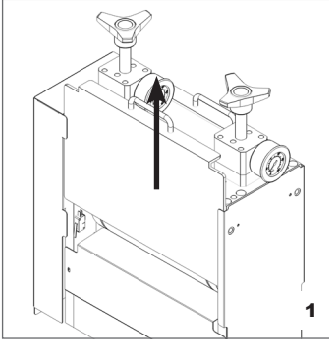


## **HOW TO CUT BLANK LABELS**

1. Select "Unprinted Roll".
2. Set the gap between each layout.
4. Click "Start" to process the job of unlimited or preset blank labels.

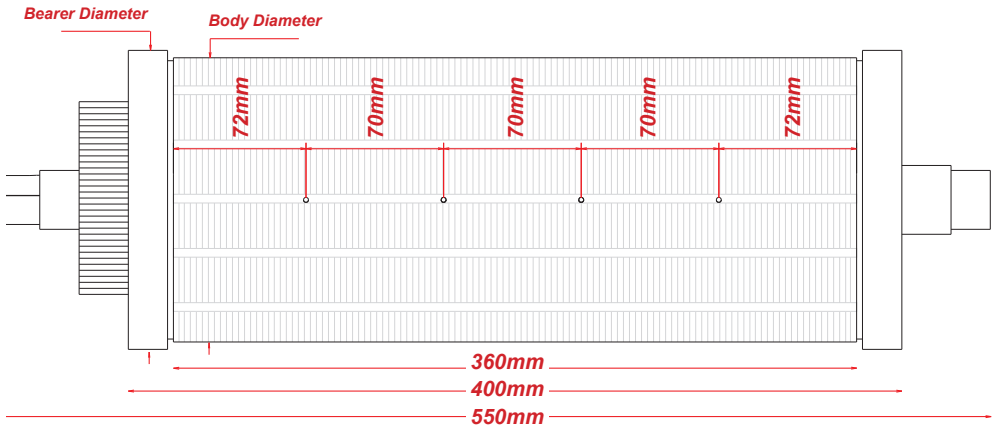
## **HOW TO INSTALL THE DIE PLATE**

1. Open the front plexiglass panel.
2. Fix the die plate with the 4 small holes on to the rotary cylinder.
3. Reinsert the front plexiglass panel.



## **ROTARY CILYNDER**

Magnetic cylinder:	18" - Z72 model 1/4
Cylinder development :	457.2mm
Number of teeth on Gear:	120
Measured Bearer Diameter:	121.330
Measured Body Diameter:	120.365



## **REGULAR MAINTENANCE**

Keep the nip rollers clean of glue.



### **!IMPORTANT!**

*Clean the unit using alcohol only, do not use chemical agents that might damage the unit.*

*Do not use blades to remove glue or sticky waste from the roller or any part of the unit.*

## **SAFETY**

**DO NOT INSERT HANDS INTO THE NIP ROLLERS  
AND ROTARY MODULES**

**PAY ATTENTION TO THE SHAFTS WHEN OPERATING**