

A WORLD OF SOLUTIONS

SHEET FEEDER CERTIFICATIONS

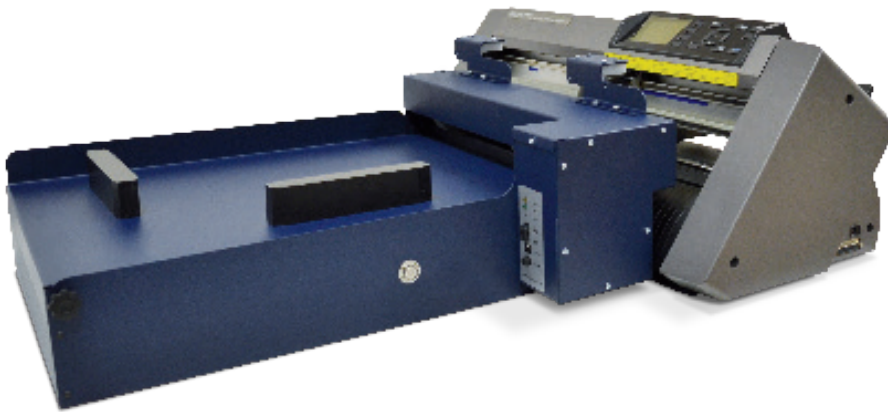


PLOTTER CERTIFICATIONS



SMART SOLUTIONS FOR THE LABELING INDUSTRY

GEMINI - DIGITAL FINISHING SYSTEM FOR SHEETS



The Gemini is an automatic sheet feeding and cutting system designed to automatically load and cut without the need of an operator.

Equipped with a Graphtec CE6000 Plotter, cuts can be made on adhesive sheets, silk screen prints, shop material prints and digital prints on cardboard.

With a newly designed ramp style loading tray and a wheel system, sheets can automatically be loaded into the plotter interruption free, cut, then dispensed into the catch tray all with ease.



LABEL SHEETS



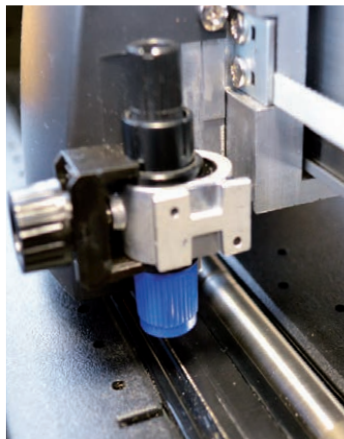
SMALL BOXES



TAGS AND MORE

The Gemini is equipped with two cameras to assist in reading the black marks after each sheet is loaded all within a fraction of a second. This is done while working in tandem with the cutting management software resulting with a cut precision of 0.0079" (0,2mm).

The cutting parameters can be adjusted by the cutting manager giving the user, the option to choose between 0.08" (2mm) or 0.16" (4mm) black marks making it an excellent choice for all types of media designs.



TWO DIFFERENT POSITIONS OF CUTTING.

The standard position is used for kiss cutting labels. The second position is used to break through the media to create small packs, tags and more.



A WORLD OF SOLUTIONS

SHEET FEEDER CERTIFICATIONS



PLOTTER CERTIFICATIONS



SMART SOLUTIONS FOR THE LABELING INDUSTRY

This innovative desktop cutter is capable of handling a variety of thickness and sheet sizes such as A4, A3, SA3, Letter, Tabloid and Tabloid Extra up to 13.77" x 19.68" (35 x 50cm).

It also has the ability to do Perforation cuts (Small dots), Kiss cuts (Half cuts), and Die cuts (Heavy cuts) for applications such as labels, business cards, shaped business cards, small boxes and more.

It can successfully cut cardboard with a weight ranging from 7.05 to 12.35 ounces (200 to 350 gr).

SPECIFICATIONS

Auto sheet capacity:

Average 150 sheets - with auto feeder

Media width (min-max):

11.69" - 13.77" (297 - 350mm)

Media length (min-max):

8.25" - 19.68" (210 - 500mm)

Interface & Software:

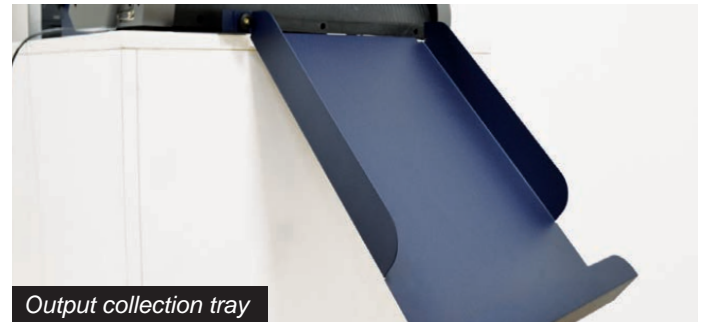
Cutting Manager Software (Win XP up) cutter management tool

Registration system:

High resolution CCD vision system consisting of a camera, which reads the black-marks on the media, and compares the position with the original value from the digital file. Gemini software then acts accordingly to correct the linear and angular positional differences but automatically adjusting the cut lines

Registration mark(s):

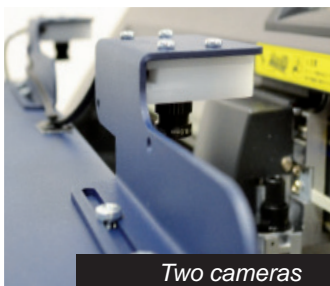
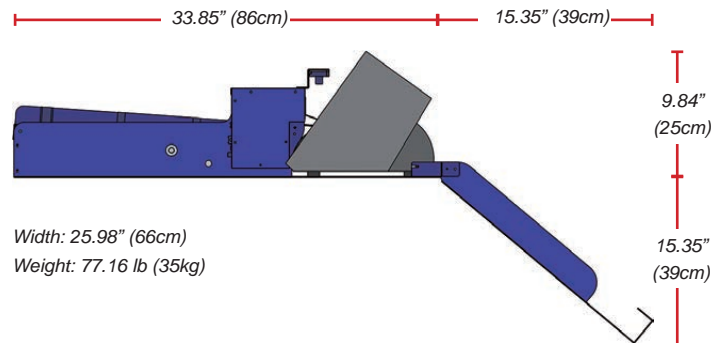
0.16" (4mm) or 0.08" (2mm) square registration mark



Output collection tray

KEY FEATURES:

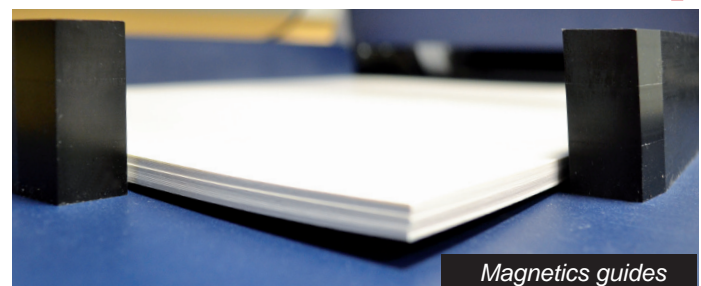
- » Work with Vector PDF (Illustrator or CoreDraw)
- » Compact design making it a desktop solution for a smaller workplace.
- » Automatic Ramp Style Feeder tray providing operator free job runs.
- » Proprietary software ensuring precise loading and cutting with excellent results.
- » Holds up to 150 sheets per job using sheet sizes (A4, A3, SA3, Letter, Tabloid and Tabloid Extra).
- » Cutting options include: Die-Cut, Kiss-Cut, Perforation Cut and Media Creasing for boxes.



Two cameras



Hub USB integrated



Magnetics guides

A WORLD OF SOLUTIONS

SHEET FEEDER CERTIFICATIONS



PLOTTER CERTIFICATIONS



SMART SOLUTIONS FOR THE LABELING INDUSTRY

GEMINI - DIGITAL DIE CUTTER FOR SHEET LABELS

SPECIFICATIONS

Auto sheet capacity	100 sheets - with autfeeder
Sheet separation	Air powered, variable jet stream separation
Media alignment	Media table, slide adjustment for size with self centering guides
Media width (min-max)	10.98" - 13.77" (279 - 350mm)
Media length (min-max)	8.25" - 19.68" (210 - 500mm)
Interface & Software	Gemini Software (PC only (Windows x32 and X64) Win 7, Win 8.x, Win 10) cutter management tool
Registration system	High resolution CCD vision system consisting of a camera, which reads the registration marks on the media, and compares the position with the original value from the digital file. The Gemini software then acts accordingly to correct the linear and angular positional differences but automatically adjusting the cut lines
Registration mark(s)	4mm x 4mm square registration mark (2 marks required: origin at top of sheet, and scale/skew at end of sheet)